

# 6 W Ceiling Loudspeaker - 6.5"

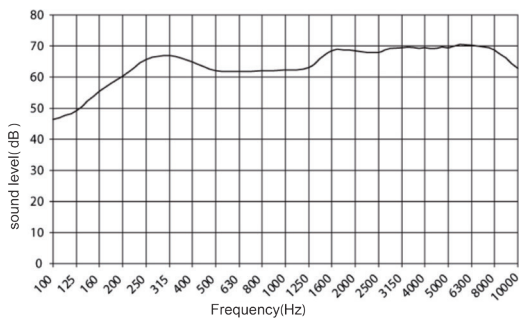
LSC-606/DC & LSC-606

Honeywell's voice alarm ceiling loudspeaker complies with BS 5839-8 and BS EN 54-24 and is designed for flush mounting in suspended ceilings and is ideal for even sound distribution.

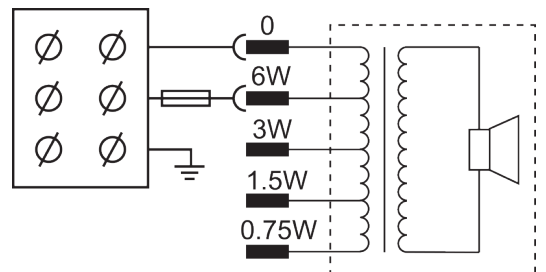
Available with capacitor (LSC-606 DC) or without (LSC-606).



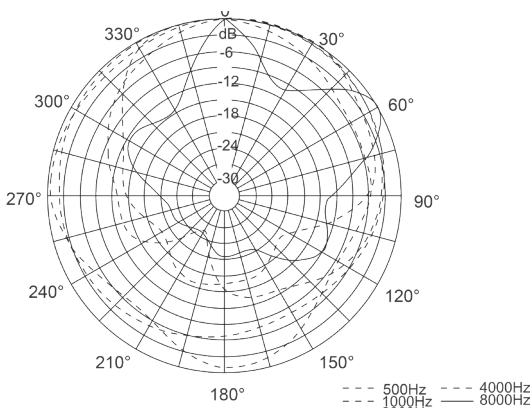
*Frequency Response*



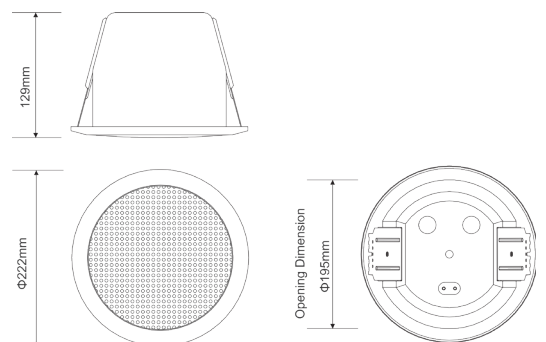
*Circuit Diagram*



*Polar Diagram*



*Three-View Diagram*



# 6 W Ceiling Loudspeaker - 6.5" Technical Specifications

| ELECTRICAL                         |  |
|------------------------------------|--|
| Max Power                          | 9 W  |
| Rated Power                        | 6 W  |
| Power Taps @ 100 V                 | 6 W / 3 W / 1.5 W / 0.75 W                                       |
| Spl At 1 W / 1 M (100 Hz - 10 KHz) | 91 dB  |
| Spl At 6 W / 1 M (100 Hz - 10 KHz) | 99 dB  |
| Frequency Range (-10 Db)           | 170 Hz - 20 kHz  |
| Dispersion Angle (1 KHz / - 6 Db)  | 170°   |
| Rated Input Voltage                | 100 V / 70 V   |
| Rated Impedance                    | 1.7 k $\Omega$ / 3.3 k $\Omega$ / 6.7 k $\Omega$ / 13 k $\Omega$ |
| Connection                         | Ceramic Terminal   |
| MECHANICAL                         |  |
| Dimensions                         | $\Phi$ 222 mm x 129 mm   |
| Hole Cut-Out Size                  | $\Phi$ 195 mm  |
| Diameter Of Speaker                | 6.5"   |
| Weight                             | 1.57 kg  |
| Front Grille Colour                | White (RAL9003)  |
| Dome Colour                        | Red (RAL3000)  |
| Thermal Fuse                       | 150° C   |
| Dc Blocking Capacitor              | Optional 2.2 uF  |
| Ip Rating                          | IP 21  |

## ORDERING INFORMATION

| DESCRIPTION   | ORDER CODES |
|---|-------------|
| 6 Watt Ceiling Loudspeaker c/w Metal Rear Cover with DC Blocking Capacitor (6.5") | LSC-606/DC  |
| 6 Watt Ceiling Loudspeaker c/w Metal Rear Cover (6.5")                            | LSC-606     |

### For more information

[www.honeywellvoicealarm.com](http://www.honeywellvoicealarm.com)

### Honeywell

140 Waterside Road  
Hamilton Industrial Park  
Leicester  
LE5 1TN, UK  
Tel: +44 (0)203 409 1779  
[hlsuksalesupport@honeywell.com](mailto:hlsuksalesupport@honeywell.com)

Honeywell reserves the right, without notification, to make changes in product design or specifications.

HSF-6.5CLoudspeaker-01-UK(0519)DS-E  
May 2019  
© 2019 Honeywell International Inc.

**Honeywell**