

24 W Coaxial Ceiling Loudspeaker 6.5"

582480

The 2-way ceiling loudspeaker provides a broad frequency range, low distortion, and high sound pressure level which ensures wide range reproduction of music and voice messaging. The bass response has been extended to give depth and warmth to both music and vocals. The stylish white colour and low profile design is suitable for most buildings allowing it to blend easily into most applications, such as hotels, shopping malls, conference rooms and exhibition halls. The ceramic terminal block and thermal fuse increase protection of the speaker circuit. Compliant with BS 5839-8 and BS EN 54-24.

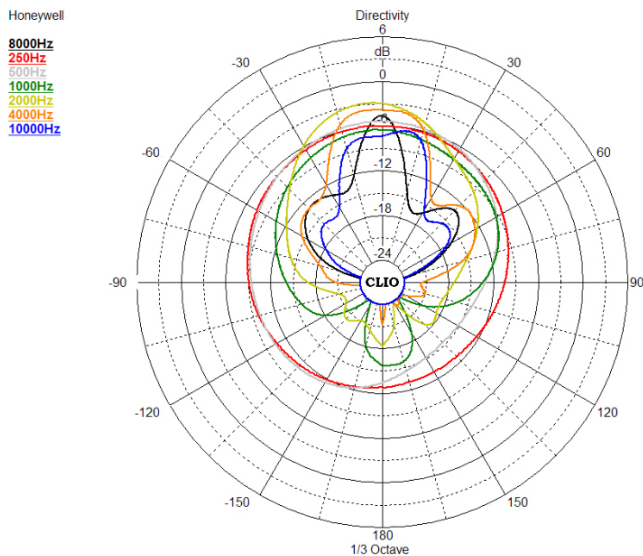


Mounting

This loudspeaker can be flush mounted into the ceiling.

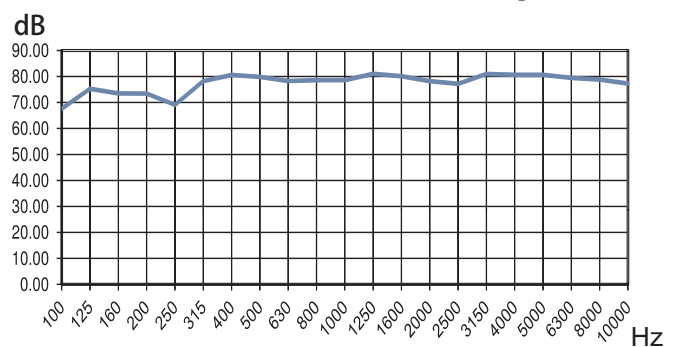
Power setting

The loudspeaker is equipped with a ceramic connector for power tapings of 24 W, 12 W, 6 W and 3 W.



Polar diagram

Frequency response at 100 V / 4 m / 1 W, 1/3 oct. smoothing dB

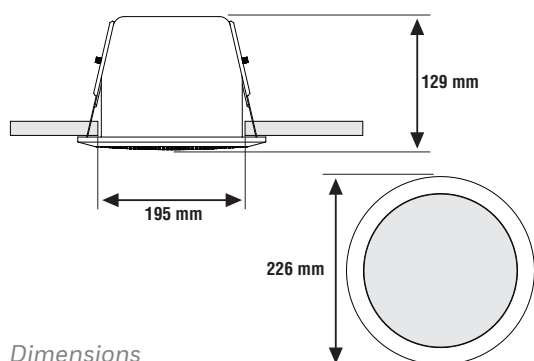


Frequency response

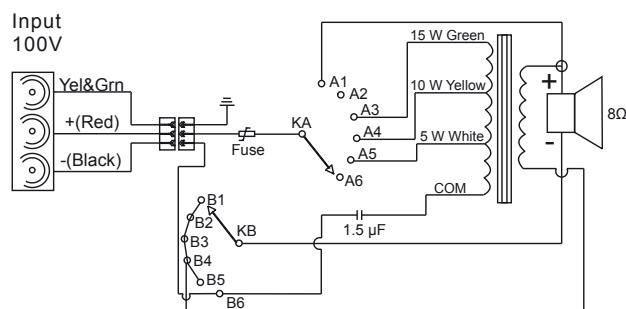
FEATURES

- Superior sound reproduction for music and speech
- Excellent low and high frequency performance
- Robust metal housing with fire dome
- Simple power setting
- Complies with BS 5839-8 and BS EN 54-24

24 W Coaxial Ceiling Loudspeaker 6.5" Technical Specifications



Dimensions



Circuit diagram

PARAMETERS	VALUES
Rated Power	24 W
Transformer Power Taps	24 / 12 / 6 / 3 W
Rated Impedance	0.42 / 0.83 / 1.67 / 3.33 kΩ
Sensitivity EN 54-24, 1 W / 1 M	91 dB
Sensitivity EN 54-24, Max 1 M	103 dB
Transmission Range	120 - 20 KHz
Dispersion Angle	165° (H) / 167° (V) @ 1 kHz
Ambient Temperature	-25 °C - 55 °C
Storage Temperature	-40 °C - 70 °C
Air Humidity	0 - 95 % non condensing
Material	Metal
Colour	White, similar to RAL 9003
Weight	Approx. 2.25 kg
IP Rating	IP 21

ORDERING INFORMATION

24 Watt Coaxial 2-Way Ceiling Loudspeaker c/w Metal Rear Cover (6.5")	582480
---	--------

For more information

www.honeywellvoicealarm.com

Honeywell

140 Waterside Road
Hamilton Industrial Park
Leicester
LE5 1TN, UK
Tel: +44 (0)203 409 1779
hlsuksalessupport@honeywell.com

Honeywell reserves the right, without notification, to make changes in product design or specifications.

HSF-L_VCM24A-01-UK(0519)DS-E
May 2019
© 2019 Honeywell International Inc.

Honeywell