

Loudspeaker

5" Ceiling Loudspeaker

Honeywell's voice alarm ceiling loudspeaker is designed for flush in suspended ceiling and ideal for even sound distribution.



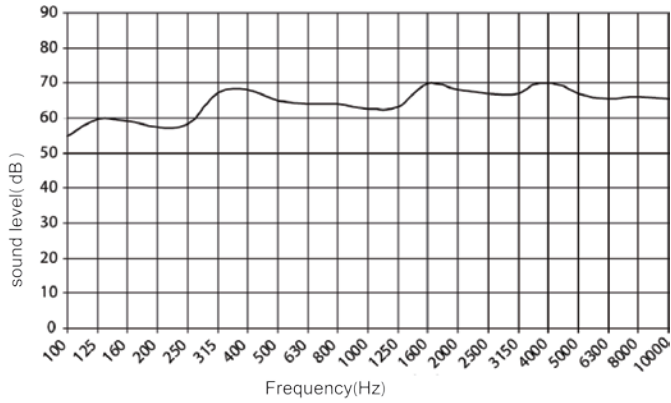
Technical Specifications

SPECIFICATION	
ELECTRICAL	
Max power	9 W
Rated power	6 W
Power taps @ 100V	6 W / 3 W / 1.5 W / 0.75 W
Power taps @ 70V	3 W / 1.5 W / 0.75 W / 0.375 W
SPL at 1W/1M (100 Hz - 10 KHz)	91dB
SPL at 6W/1M (100 Hz- 10 KHz)	100dB
Frequency range (-10dB)	180 Hz - 20 KHz
Dispersion angle (1 KHz /- 6dB)	175°
Rated input voltage	100 V / 70 V
Rated impedance	1.7k Ω / 3.3k Ω / 6.7k Ω / 13k Ω
Connection	Ceramic Terminal
MECHANICAL	
Dimensions	Φ 181 mm × 129 mm
Hole cut-out size	Φ 155 mm
Diameter of speaker	5"
Weight	1.29 kg
Front grill color	White (RAL9003)
Dome color	Red (RAL3000)
Thermal Fuse	150°C

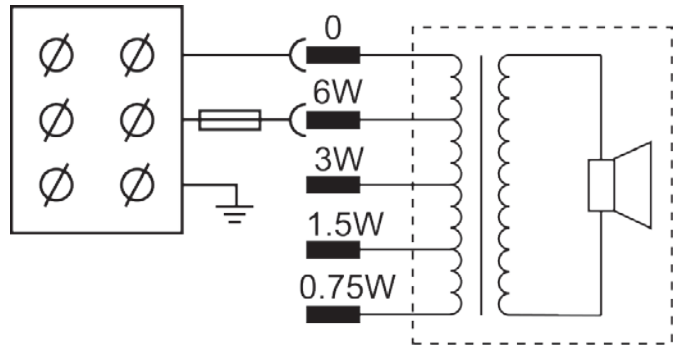
Loudspeaker

5" Ceiling Loudspeaker

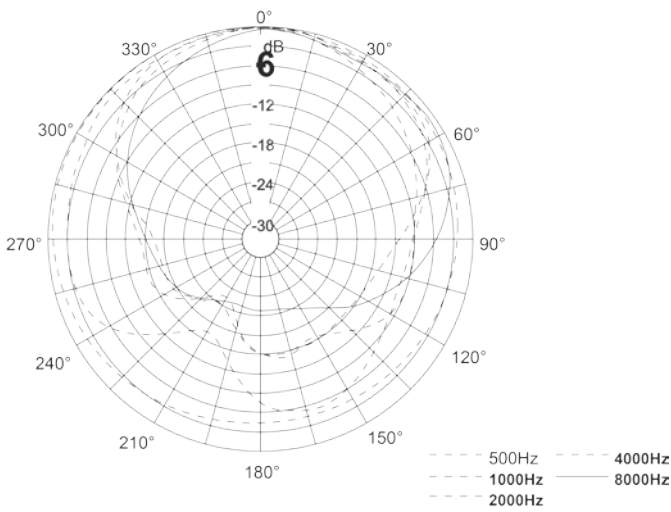
Frequency Response



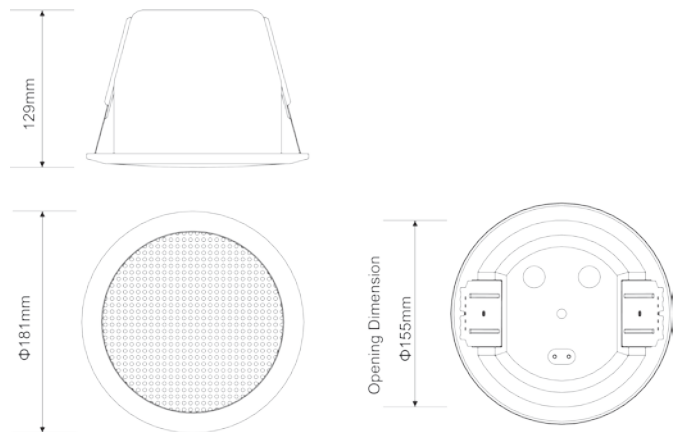
Circuit Diagram



Polar Diagram



Three-View Diagram



DESCRIPTION	ORDER CODES
5" Ceiling Loudspeaker	LSC-506

Honeywell

Tel: +44 (0) 116 246 2000
 Fax: +44 (0) 116 246 2300
 Email: ukorders@honeywell.com
 140 Waterside Road
 Hamilton Industrial Park
 Leicester
 LE5 1TN

August 2013
 © 2013 Honeywell International Inc.

Honeywell